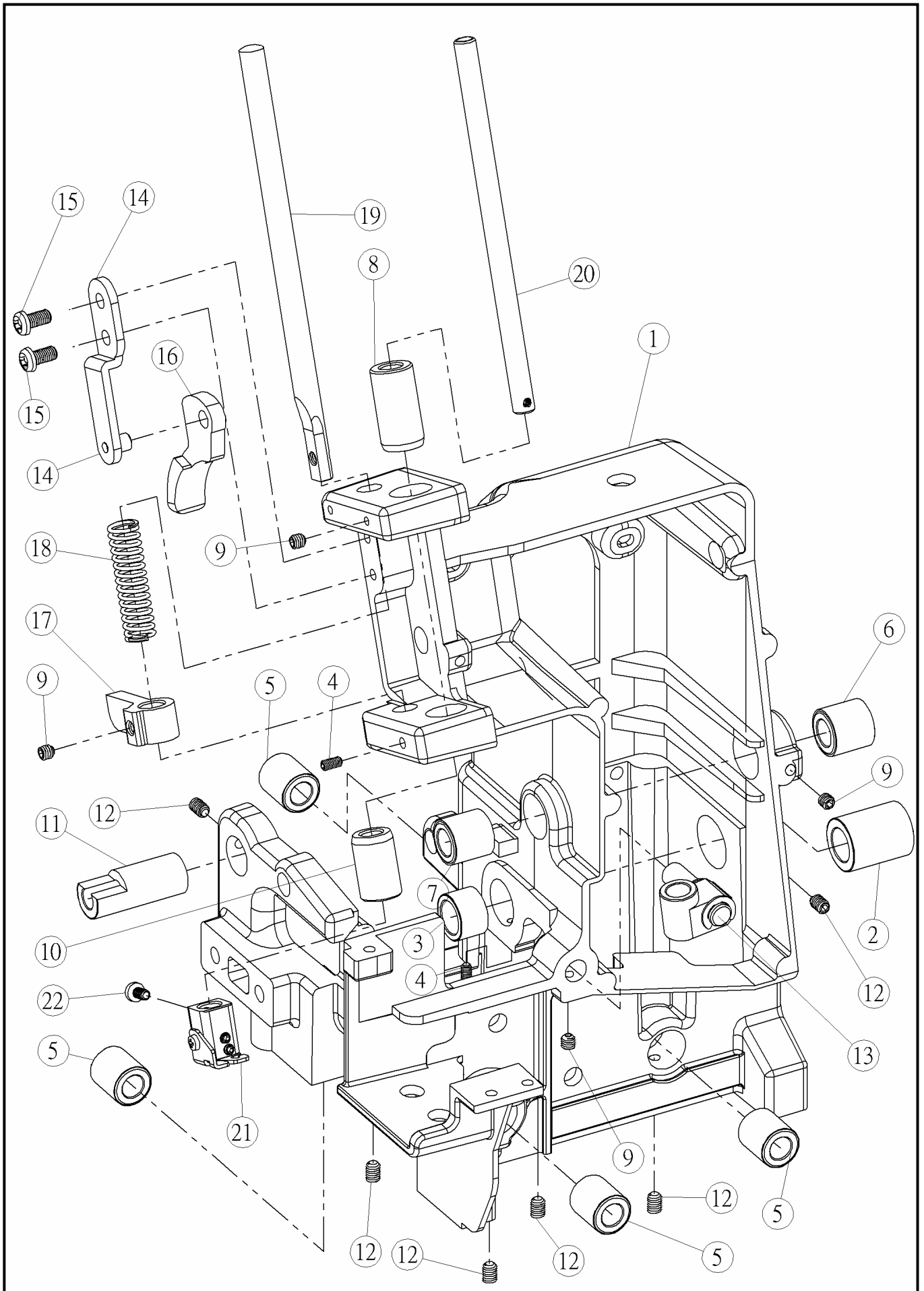


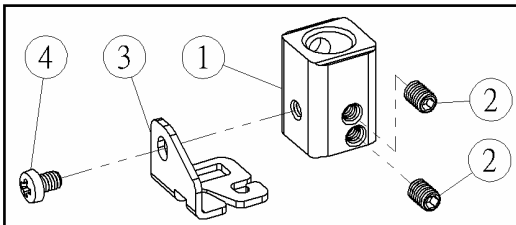
零件圖
PARTS LIST





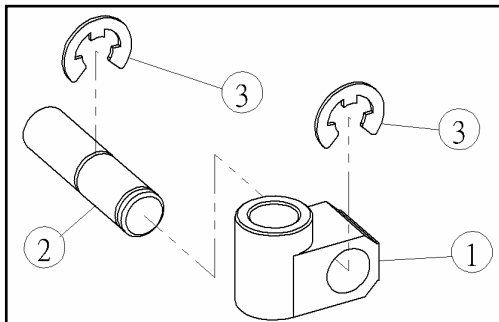
ref no	part no	name of parts	note
1	760001101	MACHINE FARME	
2	750005001	MAIN SHAFT BUSHING	
3	750006002	MAIN SHAFT BUSHING	
4	000018012	SCREW	
5	750013105	LOOPER SHAFT BUSHING	
6	750023005	UPPER KNIFE SHAFT BUSHING	
7	750024006	UPPER KNIFE SHAFT BUSHING	
8	750100007	NEEDEL BAR SHAFT BUSHING	
9	301046000	SCREW	
10	750101008	NEEDLE BAR SHAFT BUSHING	
11	750174002	SHAFT BUSHING	
12	000023021	SCREW	
13	760601004	SLIDE GROUP	GROUP
14	760003000	PRESSURE BAR ROD BASE	
15	000019057	SCREW	
16	750111001	PRESSURE BAR LIFTER	
17	750109006	PRESSURE BAR ROD	
18	760008005	PRESSURE BAR SPRING	
19	750110000	PRESSURE BAR	
20	754003001	NEEDLE BAR	
21	760612008	NEEDLE BARGROUP	GROUP
22	000017000	SCREW	

760612008 NEEDLESET BAR GROUP

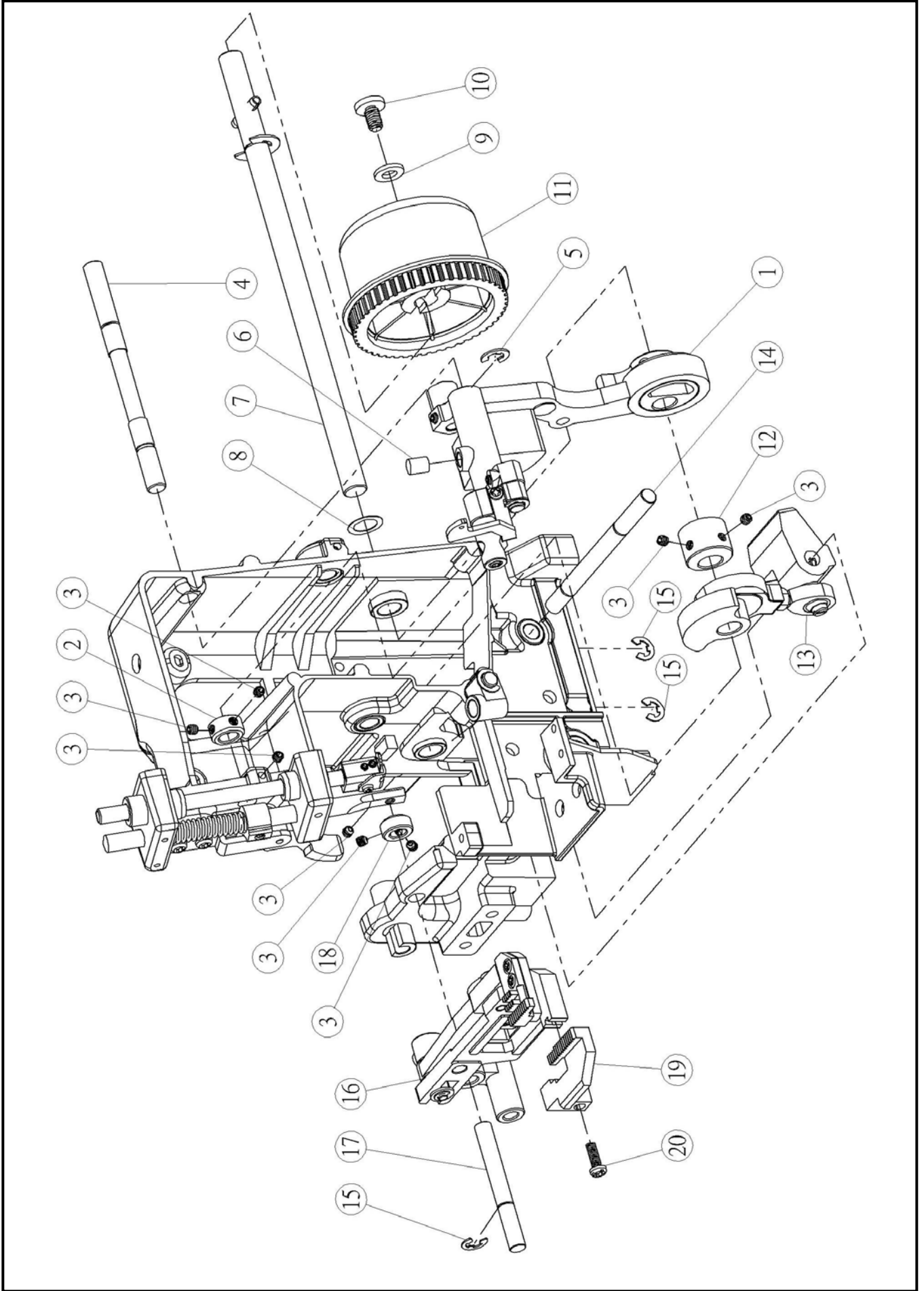


ref no	part no	name of parts
1	760016006	NEEDLE SET BAR
2	000022008	SCREW
3	760018008	NEEDLE THREADER PLATE
4	000017000	SCREW

760601004 SLIDE GROUP

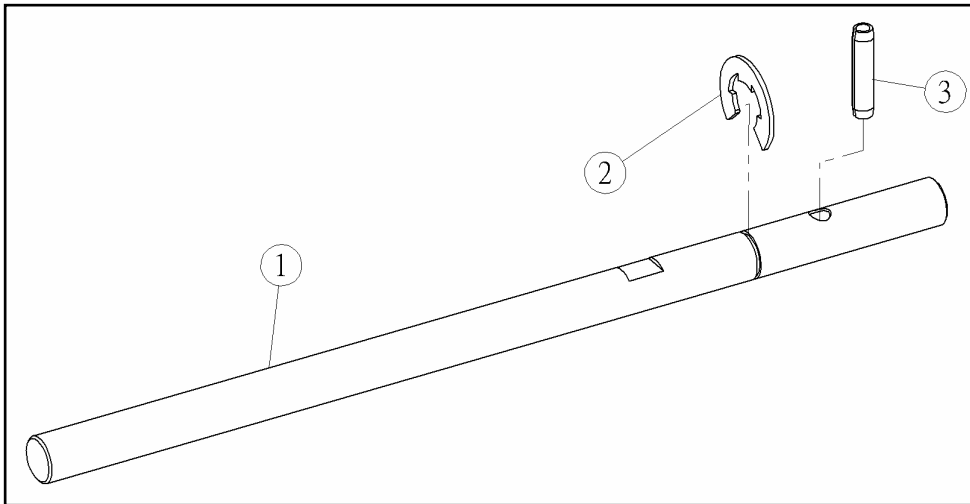


ref no	part no	name of parts
1	760005002	SLIDE BASE
2	760006003	SLIP THE AXLE
3	000000309	SNAP RING 5D



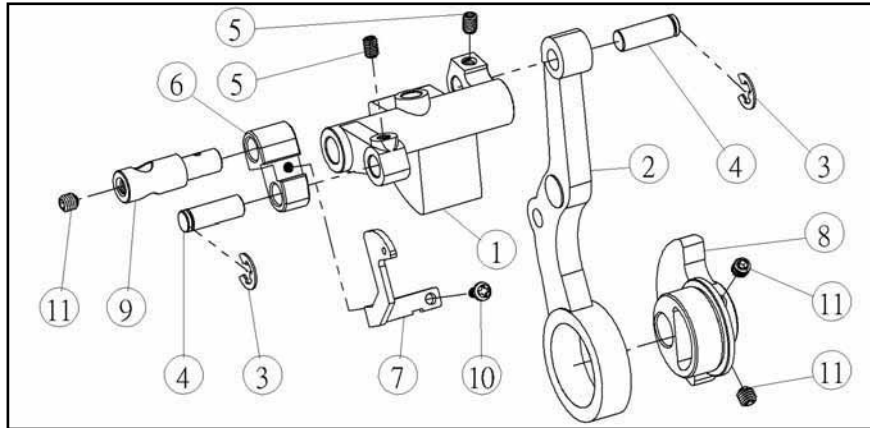
ref on	part no	name of parts	note
1	760610006	NEEDEL BAR CAM GROUP	GROUP
2	750015004	COLLAR	
3	301046000	SCREW	
4	750014003	NEEDLE BAR CRANK SHAFT	
5	000000402	SNAP RING 6D	
6	750255008	LUBRINCANT FELT	
7	750604109	MAIN SHAFT GROUP	GROUP
8	000009010	WASHER	
9	000014029	WASHER	
10	000016054	SCREW	
11	750008037	HAND WHEEL	
12	750021003	UPPER KNIFE CAM	
13	750605007	UPPET LOOPER CAM GROUP	GROUP
14	750010102	UPPER LOOPER SHAFT	
15	000000309	SNAP RING 5D	
16	750606008	MAIN FEED BASE GROUP	GROUP
17	750173001	SUPPORTING SHAFT	
18	750032007	COLLAR	
19	750051002	FEED DOG (F)	
20	301144009	SCREW	

750604109 MAIN SHAFT GROUP



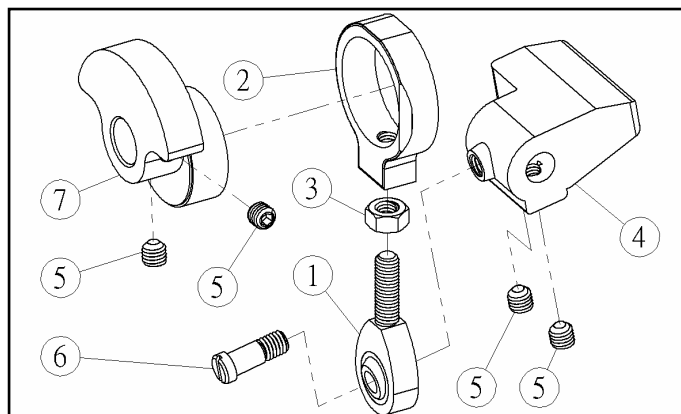
ref on.	part on.	name of parts
1	750188102	MAIN SHAFT
2	000000505	SNAP RING 6D
3	000003508	SPRING PIN 4*20

760610006 **NEEDEL BAR CAM GROUP**

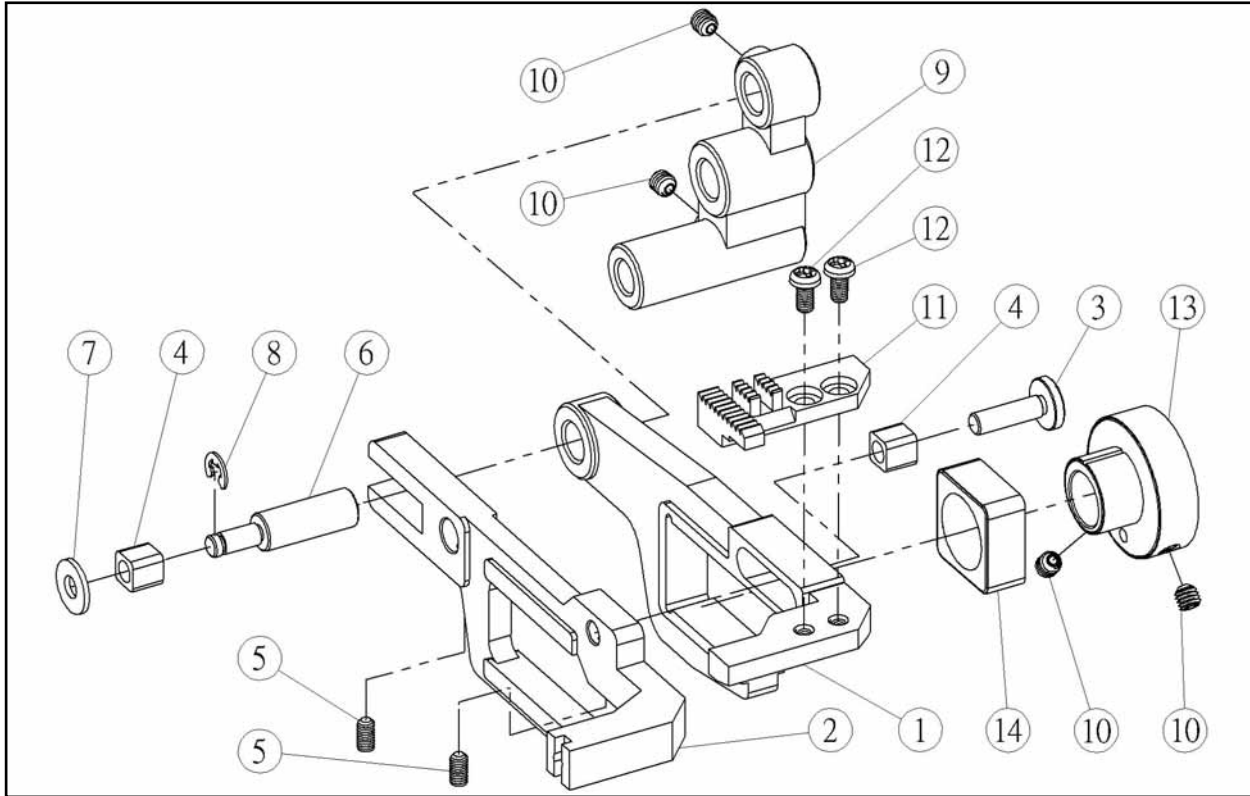


ref on	part no	name of parts
1	750016005	NEEDLE BAR CRANK
2	750018007	CONNECTING ROD
3	000000309	SNAP RING 5D
4	750020002	PIN
5	000023021	SCREW
6	750102009	NEEDLE BAR CONNECTING ROD
7	760042001	TAKE UP LEVER
8	760026009	NEEDLE BAR CAM
9	750104001	NEEDLE BAR ROD
10	380041000	SET SCREW
11	301087003	SCREW

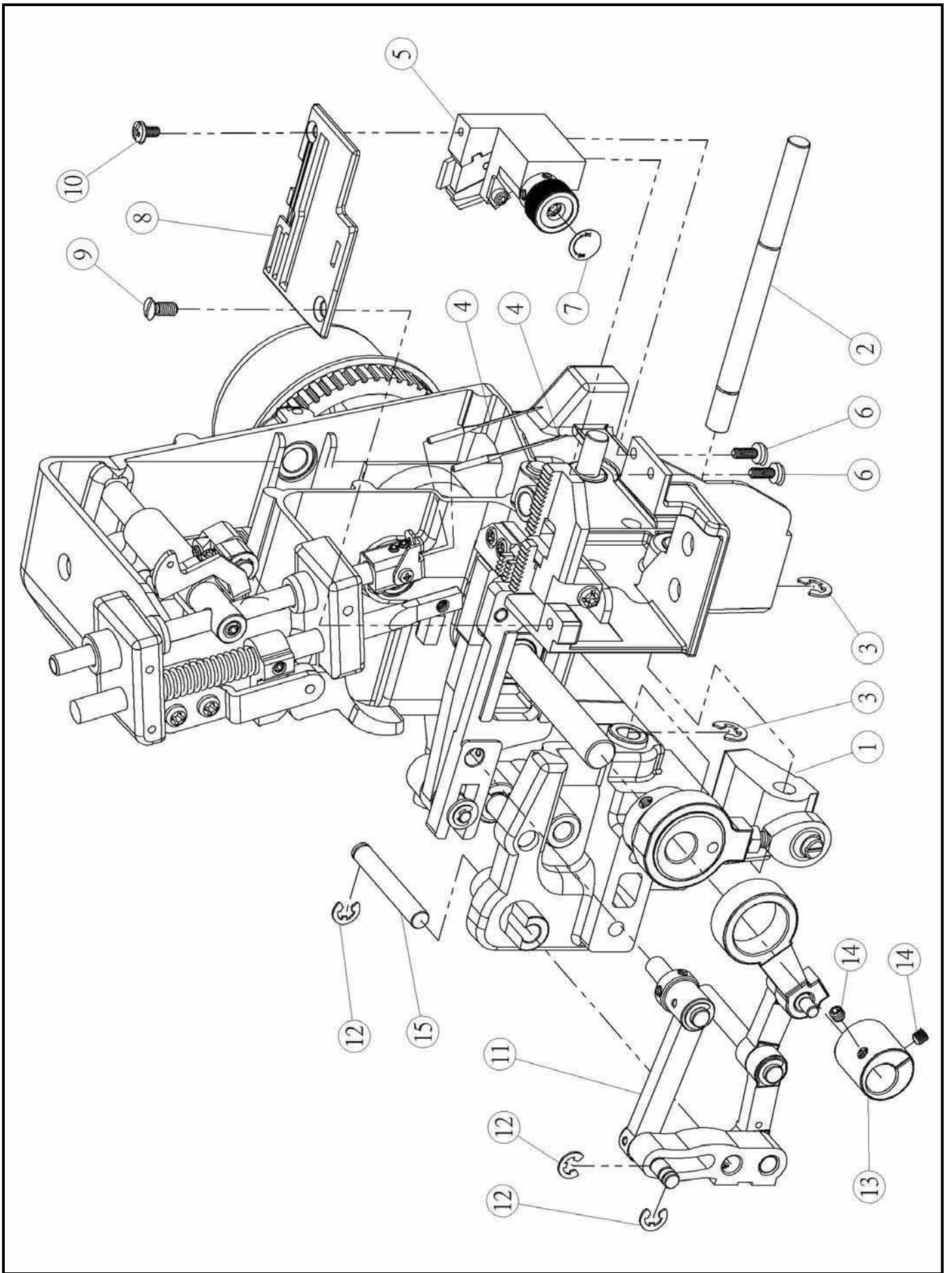
750605007 **UPPET LOOPER CAM GROUP**



ref on	part no	name of parts
1	750501002	BALL BASE CONNECTING ROD
2	750035000	CONNECTING ROD BASE
3	351011001	NUT
4	750033008	LOOPER CRANK
5	301087003	SCREW
6	750036001	SCREW
7	750034009	UPPET LOOPER CAM

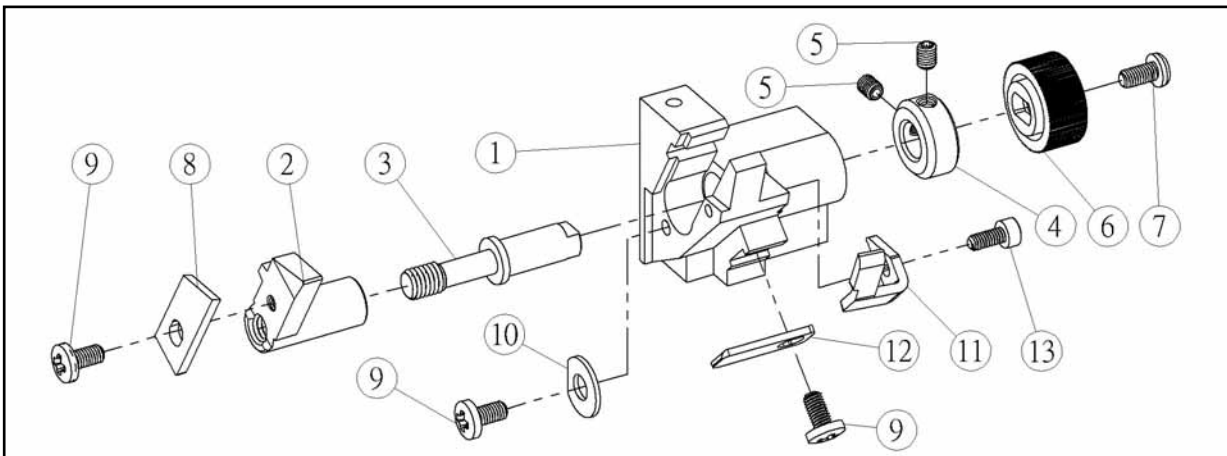


ref on	part no	name of parts
1	750163008	MAIN FEED BASE
2	750162007	SUB FEED BASE
3	750200008	LIMITED PIN
4	750196000	SLIDE ROD
5	000018012	SCREW
6	750171009	(UP) SHAFT
7	301009001	WASHER
8	000000103	SNAP RING 3D
9	750170008	STITCH LENGTH ROD
10	301046000	SCREW
11	750049007	FEED DOG (R)
12	380041000	SET SCREW
13	750046004	UP DOWN CAM
14	750047005	UP DOWN SLIDE ROD



ref on	part no	name of parts	Note
1	750607008	LOWER LOOPER CAM GROUP	GROUP
2	760007004	UPPER LOOPER SHAFT	
3	000000309	SNAP RING 5D	
4	301244206	NEEDLE	
5	760602005	LOWER KNIFE BASE GROU P	GROUP
6	000016010	SCREW	
7	750094007	PANEL	
8	760058000	NEEDLE PLATE	
9	301261003	SET SCREW	
10	000038052	SCREW	
11	750608103	D.F CONNECTING ROD GROUP	GROUP
12	000000206	SNAP RING 4D	
13	750164009	BEVEL CAM	
14	301046000	SCREW	
15	750175003	SHAFT A	

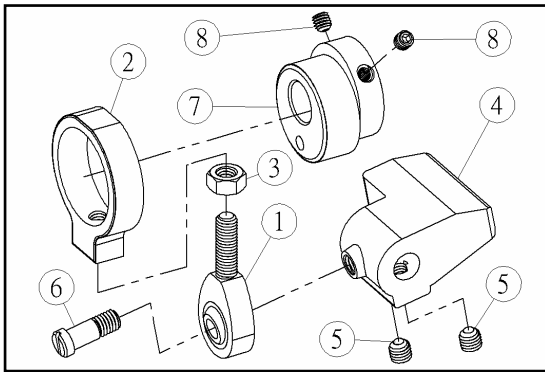
760602005 LOWER KNIFE BASE GROUP



ref on	part no	name of parts
1	760002009	THE NEEDLE BOARD SUPPORT SEATS
2	750090003	LOWER KNIFE BASE
3	750089009	LOWER KNIFE SHAFT
4	750092005	COLLAR
5	255004000	SCREW
6	750093006	DIAL
7	380041000	SET SCREW
8	750091004	LOWER KNIFE
9	000016010	SCREW
10	760062007	WASHER
11	750087007	NEEDLE BASE
12	750088008	STOP PLATE
13	000015008	SCREW

750607008

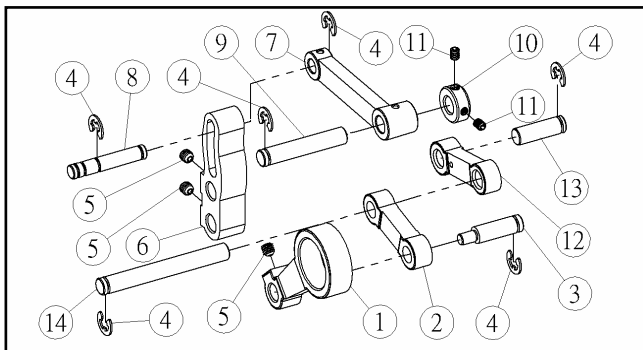
LOWER LOOPER CAM GROUP



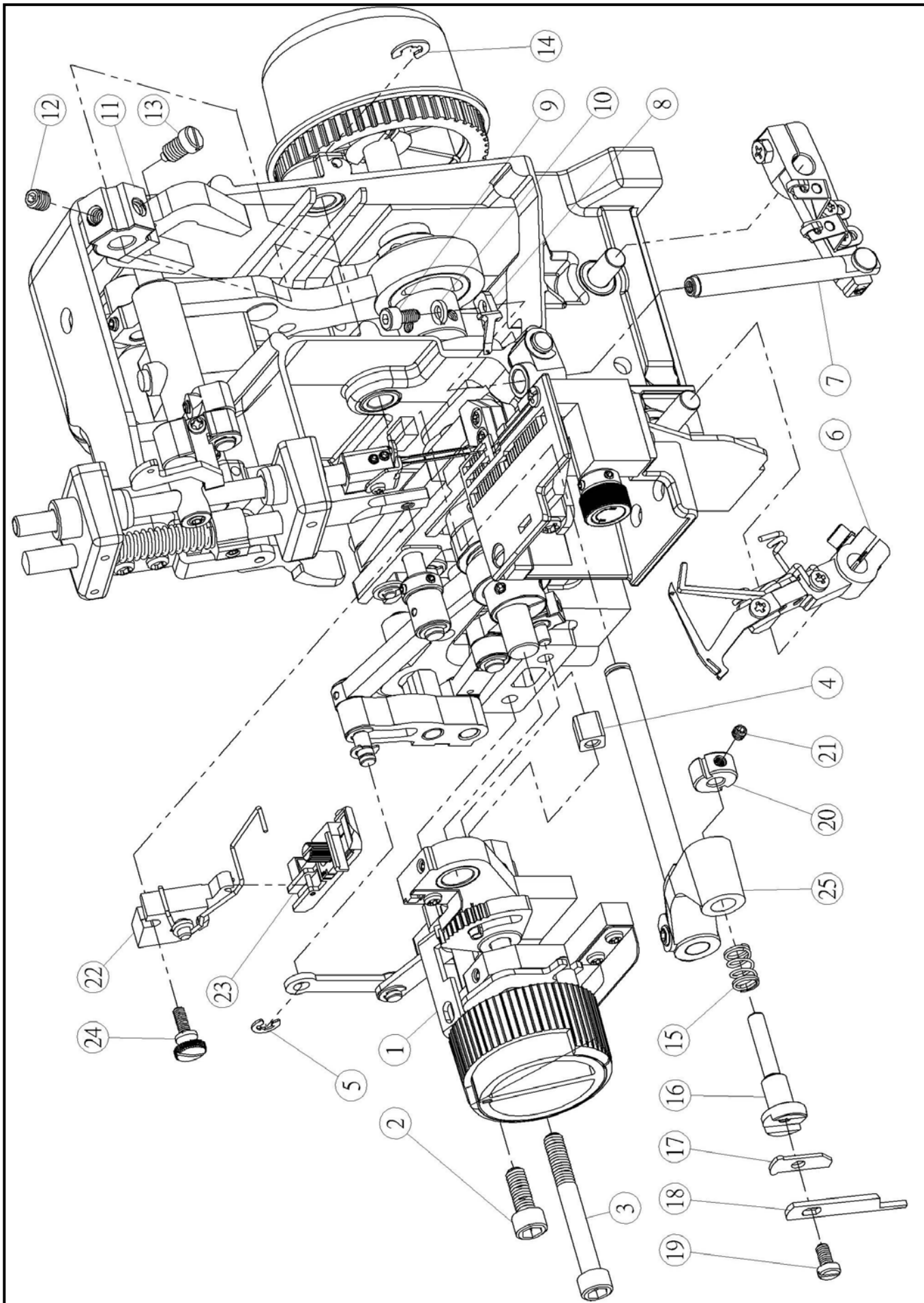
ref on	part no	name of parts
1	750501002	BALL BASE CONNECTING ROD
2	750035000	CONNECTING ROD BASE
3	351011001	NUT
4	750033008	LOOPER CRANK
5	301087003	SCREW
6	750036001	SCREW
7	750187008	UPPET LOOPER CAM
8	301046000	SCREW

750608103

D.F CONNECTING ROD GROUP

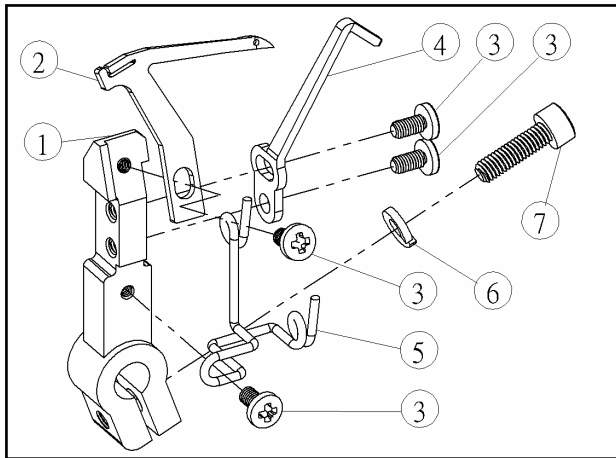


ref on	part no	name of parts
1	750165000	STITCH LENGTH ROD
2	750197001	CONNECTING ROD
3	750186007	SLIDE ROD SHAFT
4	000000206	SNAP RING 4D
5	301046000	SCREW
6	750177005	D.F FEED SHAFT
7	750181002	D.F CONNECTING ROD
8	750178109	PIN
9	750179007	PIN
10	750092005	COLLAR
11	255004000	SCREW
12	750176004	CONNECTING ROD
13	750198002	PIN B
14	750172000	SHAFT



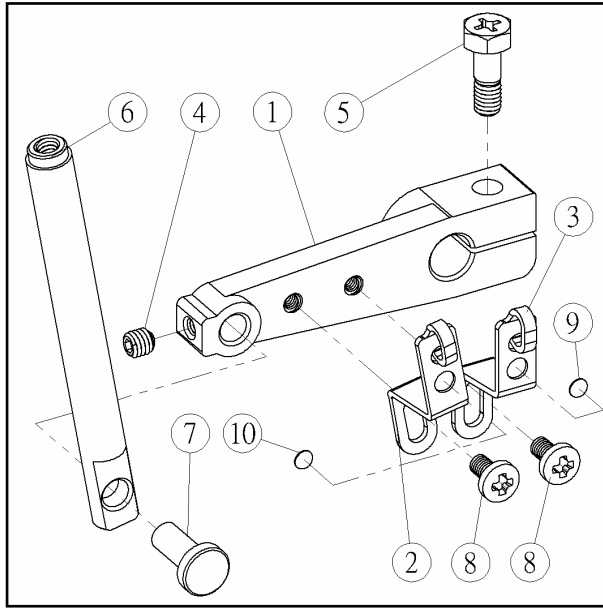
ref no	part no	name of parts	Note
1	750611110	SUPPROTER ARM GROUP	GROUP
2	000015020	SCREW	
3	000015031	SCREW	
4	750072009	SLIDE ROD	
5	000000206	SNAP RING 4D	
6	750612007	LOWER LOOPER BASE GROUP	GROUP
7	750613008	UPPER LOPPER BASE GROUP	GROUP
8	750042000	UP LOOPER	
9	000015019	SCREW	
10	000021007	SPRING WASHER	
11	750025007	FORK LOD	
12	000018045	SCREW	
13	353015001	SET SCREW	
14	000000402	SNAP RING 6D	
15	754001009	UPPER KNIFE SPRING	
16	750028000	UPPER KNIFE BASE	
17	750029001	UPPER KNIFE PLATE	
18	750030005	UPPER KNIFE	
19	000017022	SCREW	
20	750031202	COLLAR	
21	301046000	SCREW	
22	750505006	PRESSUER FOOT HOLDER	
23	750504005	PRESSUER FOOT	
24	301339003	SET SCREW	
25	750614102	UPPER KNIFE BODY GROUP	GROUP

750612007 LOWER LOOPER BASE GROUP



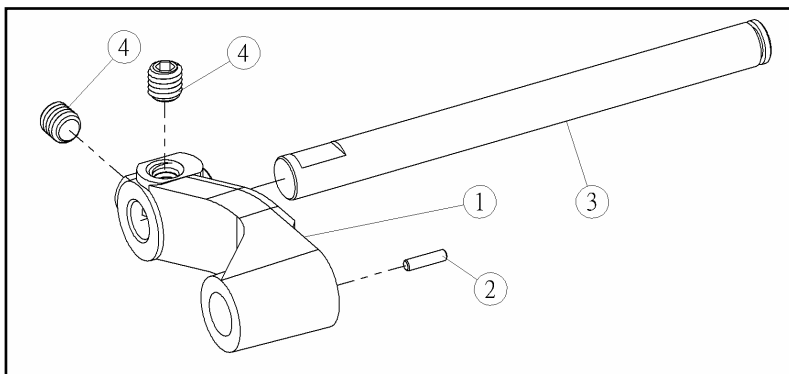
ref no	part no	name of parts
1	750080000	LOWER LOOPER BASE
2	750081001	LOWER LOOPER
3	000016021	SCREW
4	750082002	NEEDLE BASE
5	750083003	LOWER LOOPER THREAD GUIDE
6	000021007	SPRING WASHER
7	000015042	SCREW

750613008 UPPER LOPPER BASE GROUP



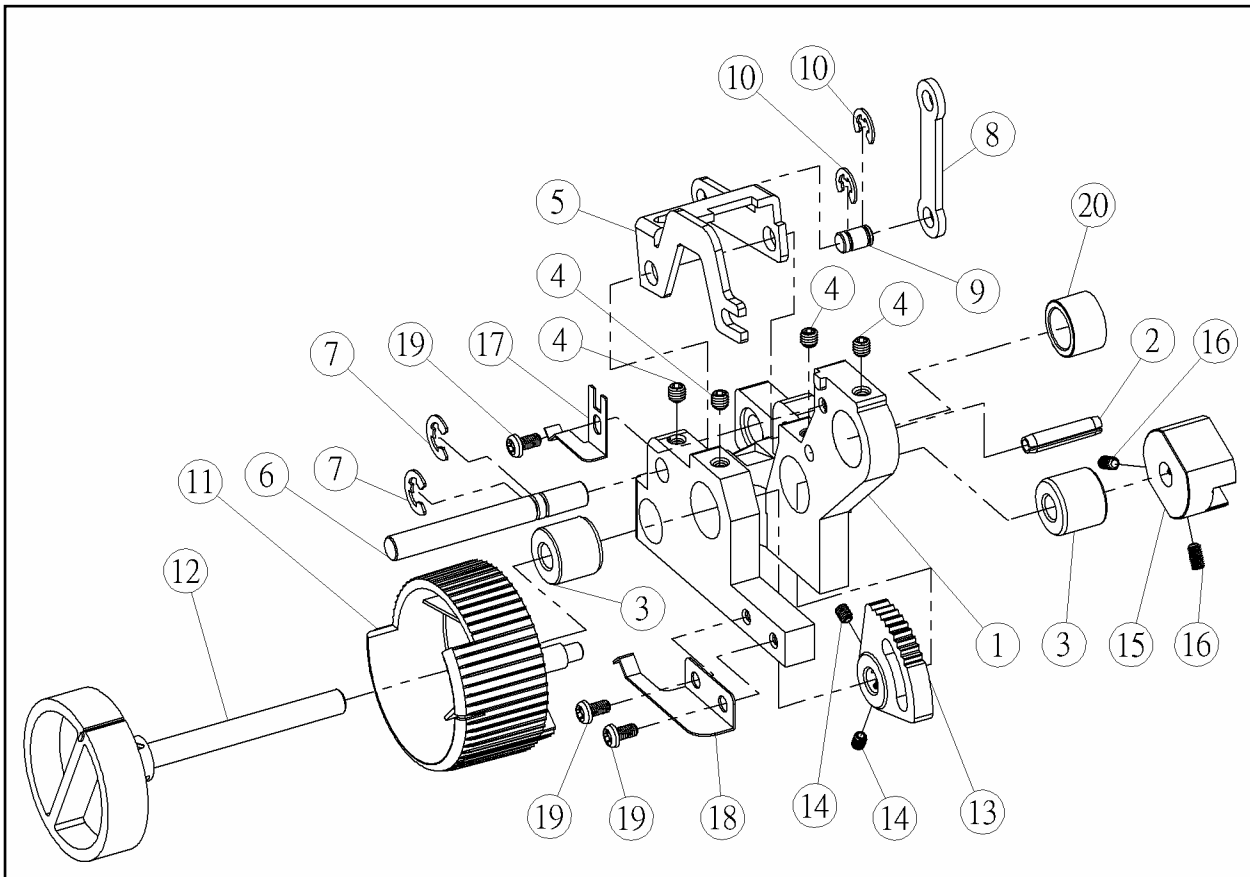
ref no	part no	name of parts
1	750037002	UP LOOPER ROD
2	750038003	LOWER LOOPER THREAD TAKE-UP
3	750039004	UP LOOPER THREAD TAKE-UP
4	301046000	SCREW
5	000020006	SCREW
6	750040008	SLIDE SHAFT
7	750045003	PIN
8	000016010	SCREW
9	750249135	STICK TO THE PAPER-YELLOW
10	750249146	STICK TO THE PAPER-GREEN

750614102 UPPER KNIFE BODY GROUP

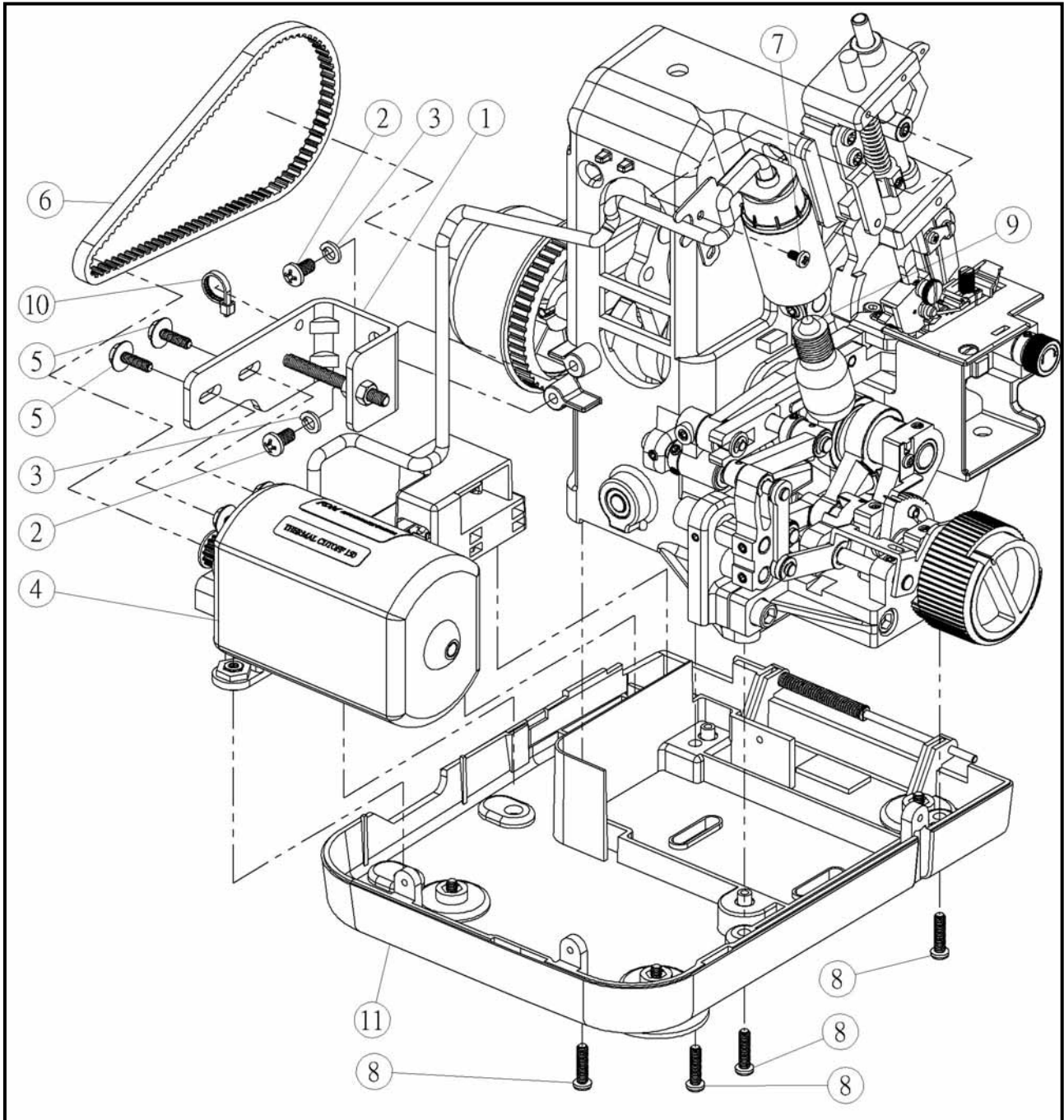


ref no	part no	name of parts
1	750026008	UPPER KNIFE BASE BODY
2	750027009	PIN
3	760015005	UPPER KNIFE SHAFT
4	000051017	SCREW

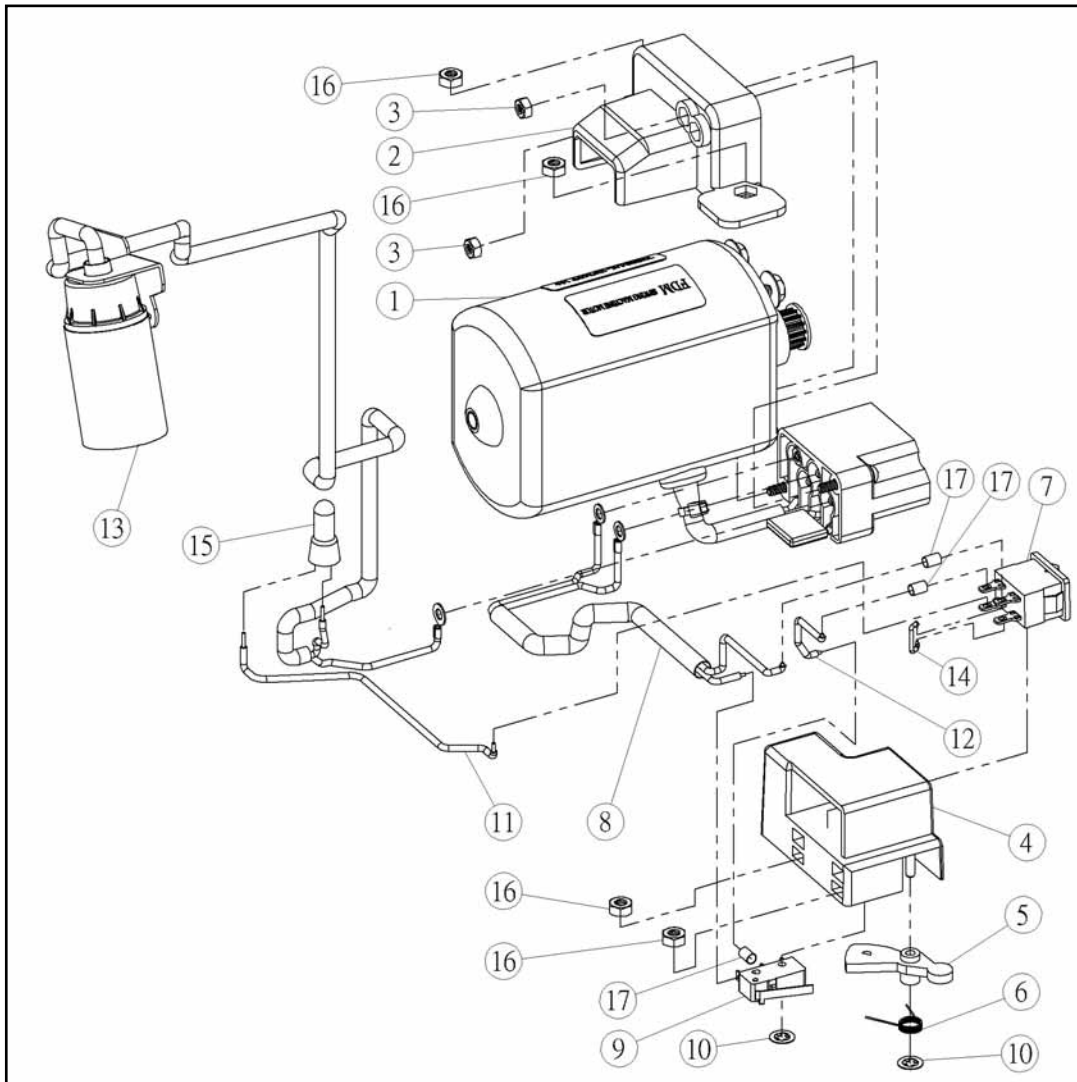
750611110 UPPORT THE ARM GROUP



ref no	part no	name of parts
1	750184005	SUPPORTING ARM
2	000003508	SPRINGPIN 4*20
3	750185006	SHAFT BUSHING
4	301046000	SCREW
5	750183004	D,F ADJUSTINGROD
6	750182106	D,F ADJUSTING PIN
7	000000309	SNAP RING 5D
8	750202000	CONNECTING ROD
9	750201009	CONNECTING PIN
10	000000206	SNAP RING 4D
11	750206026	A,J ADJUSTING DIAL
12	750168025	STITCH LENGTH DIAL
13	750189000	STOP CAM
14	255004000	SCREW
15	750169004	SLIDE ROD BASE
16	000018012	SCREW
17	750190004	STOP SPRING PLATE
18	750205003	STOP PLATE
19	380041000	SET SCREW
20	750006002	MAIN SHAFT BUSHING

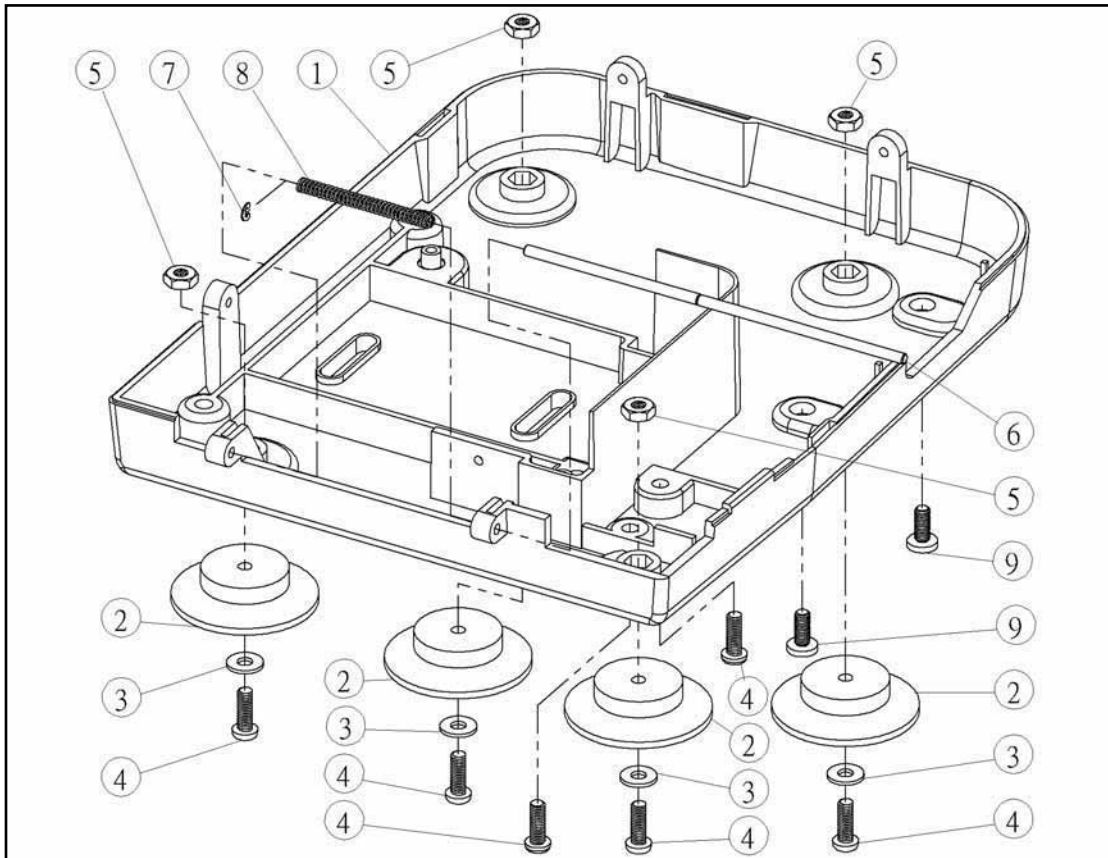


ref no	part no	name of parts	Note
1	760614000	MOTOR BRACKET GROUP	GROUP
2	301143008	SCREWR	
3	450063008	SPRING WASHER	
4	760603006	MOTOR GROUP	GROUP
5	000063023	SCREWR	
6	750123006	BELT	
7	000016010	SCREW	
8	000019079	SCREW	
9	650816000	LIGHTHT BULB 230V	
10	351047006	BAND(L=100)	
11	760604007	BASE GROUP	GROUP



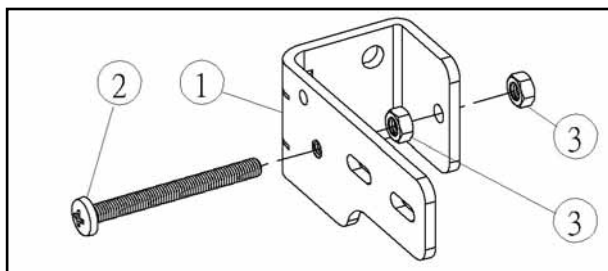
ref no	part no	name of parts
1	760806001	MOTOR GROUP
2	760011001	SOCKET SUPPORT COVER
3	000004015	NUT
4	760012002	SWITCH SUPPORT COVER
5	760013003	SWITCH PRESSURE PLATE
6	760014004	SWITCH PRESSUER PLATE SPRING
7	750814104	SWITCH
8	760801006	SWITCH CONNECTION CORD
9	750815105	SAFYSWITCH
10	000012005	C TYPE WASHER
11	760802007	CONNECTION CORD
12	760803008	SAFY SWITCH CONNECTION CORD
13	760804009	CABLE 230V
14	760807002	CONNECTION CORD
15	301354004	CONNECTION
16	301193003	NUT
17	750824004	INSULATED TUBE

760604007 BASE GROUP

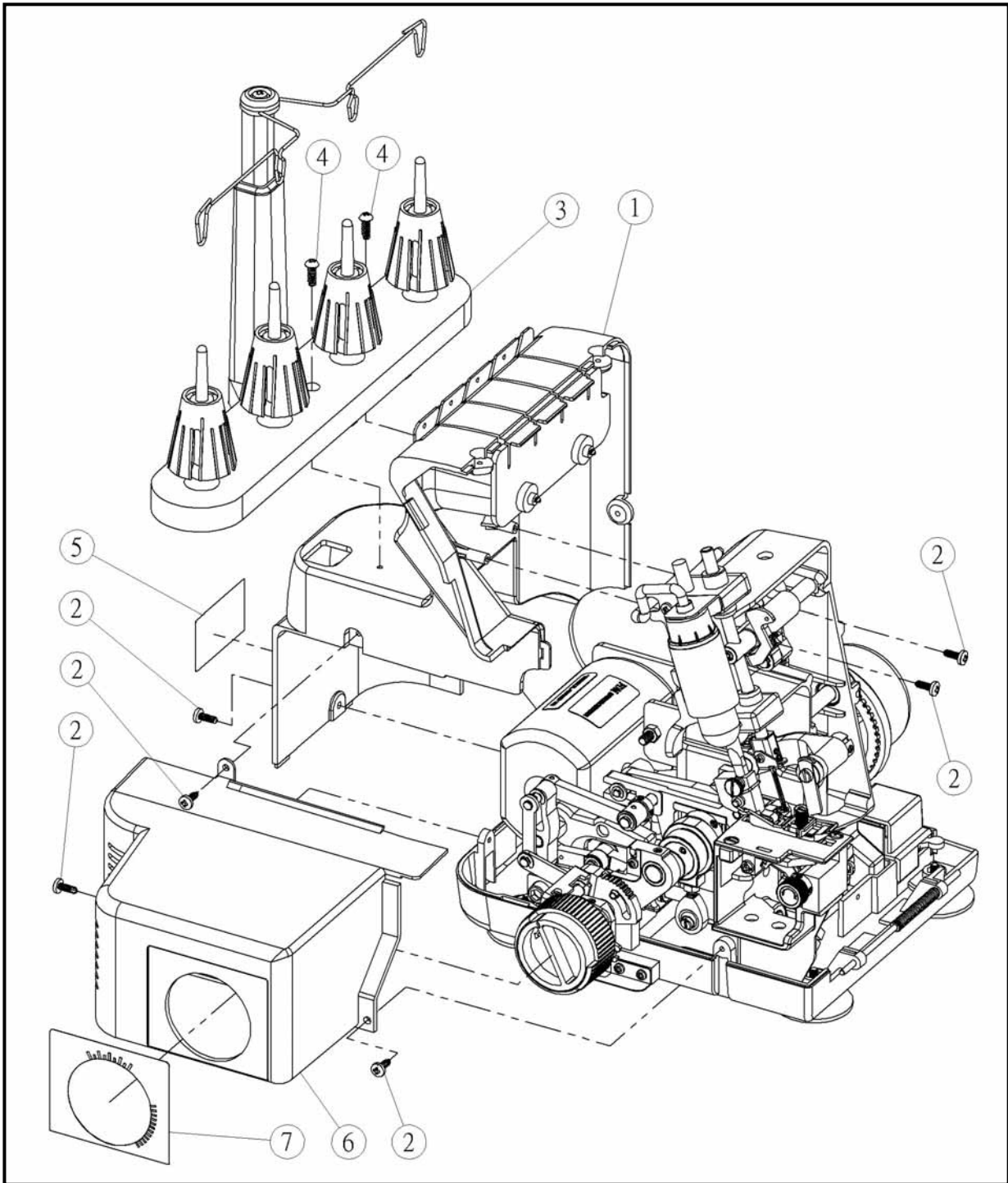


ref no	part no	name of parts
1	760030006	BASE
2	750130006	CUSHION RUBBER
3	301009001	WASHER
4	301144009	SCREW
5	301193003	NUT
6	760045004	HINGE SHAFT
7	000000701	E RING
8	750134000	SPRING
9	000016032	SCREW

760614000 MOTOR BRACKET GROUP

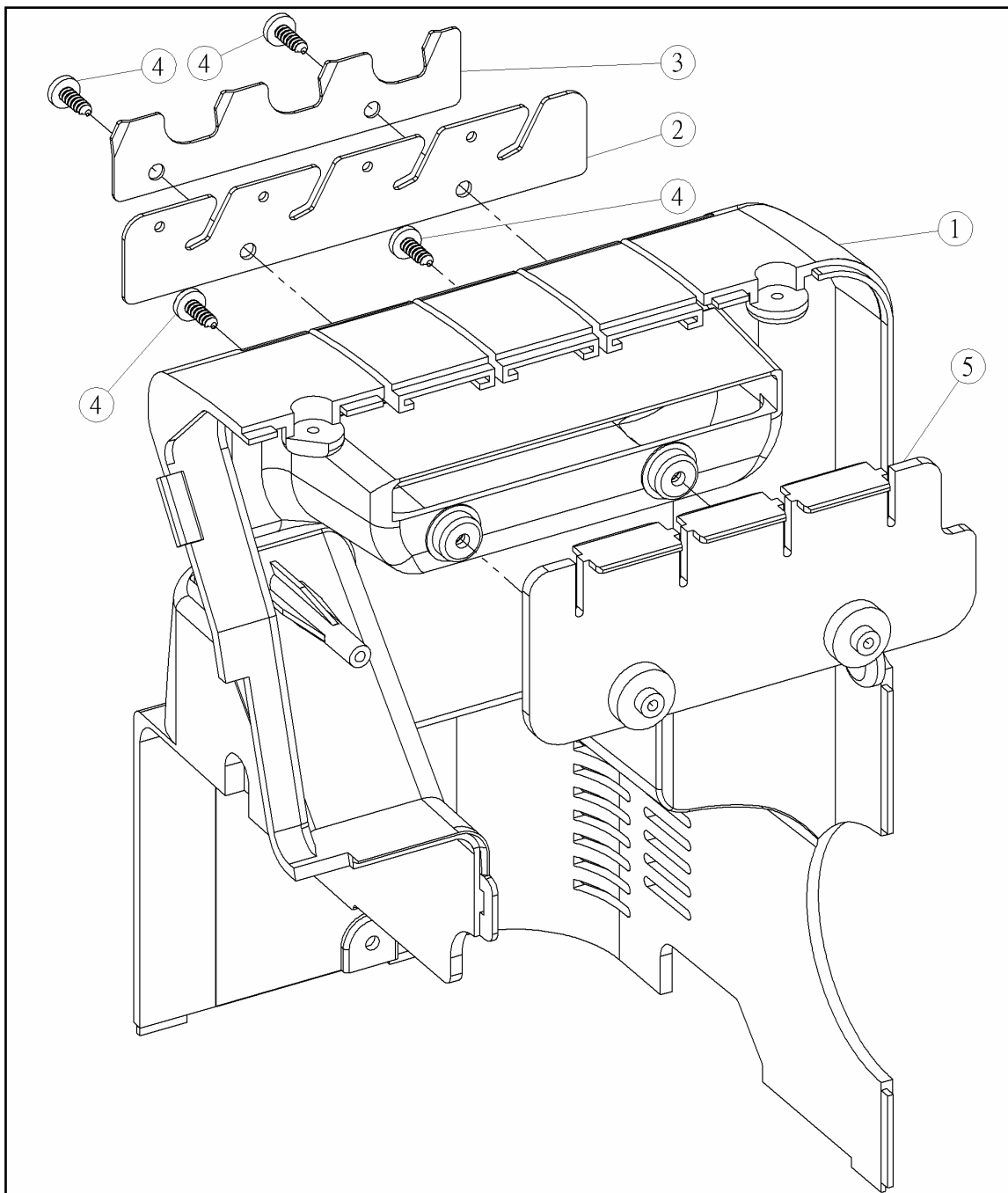


ref no	part no	name of parts
1	760027000	MOTOR BRACKET
2	000016098	SCREW
3	351011001	NUT



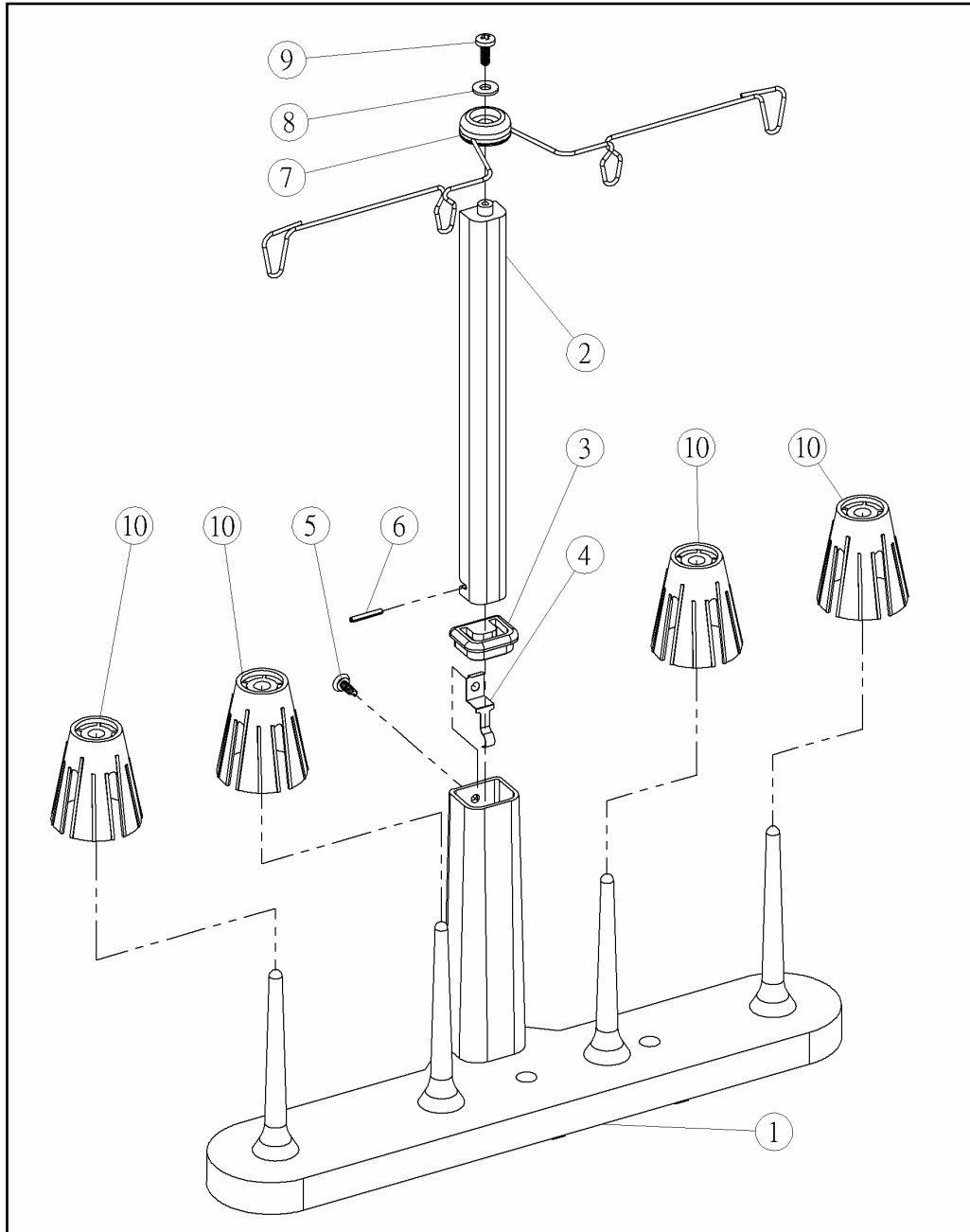
ref no	part no	name of parts	note
1	760605008	BACK COVER GROUP	GROUP
2	000011901	SVREW	
3	760606009	THERAD GUIDE BASE GROUP	GROUP
4	000011244	SCREW	
5	760041000	RATING PLATE (AEG 760)	
6	760034000	SIDE COVER	
7	750199025	SIDE COVER PLATE	

760605008 BACK COVER GROUP

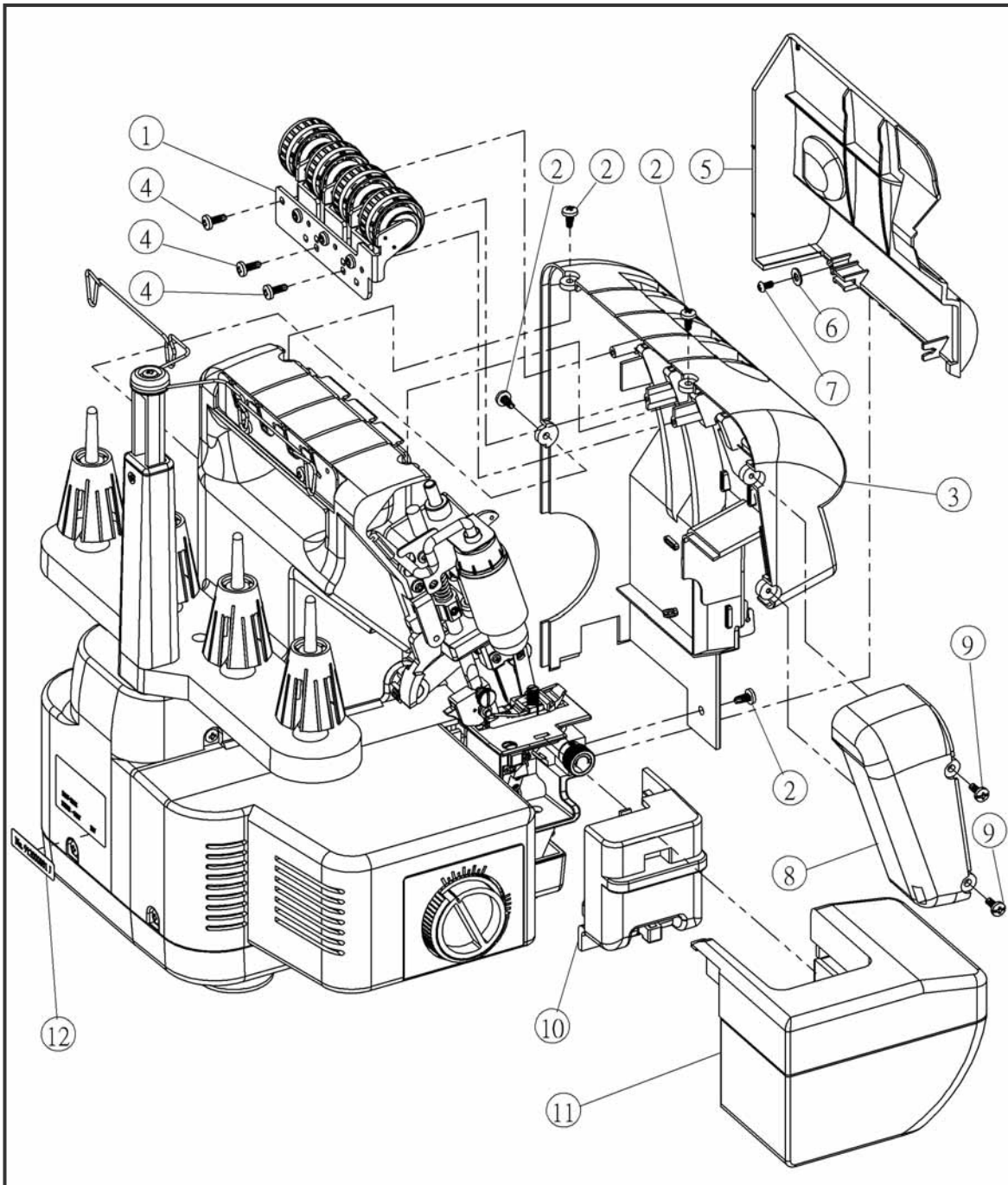


ref no.	part no.	name of parts
1	760036002	BACK COVER
2	760047006	THREAD GUIDE PLATE
3	760038004	THREAD GUIDE
4	000011901	SCREW
5	760055007	SUPPORT THE BOARD

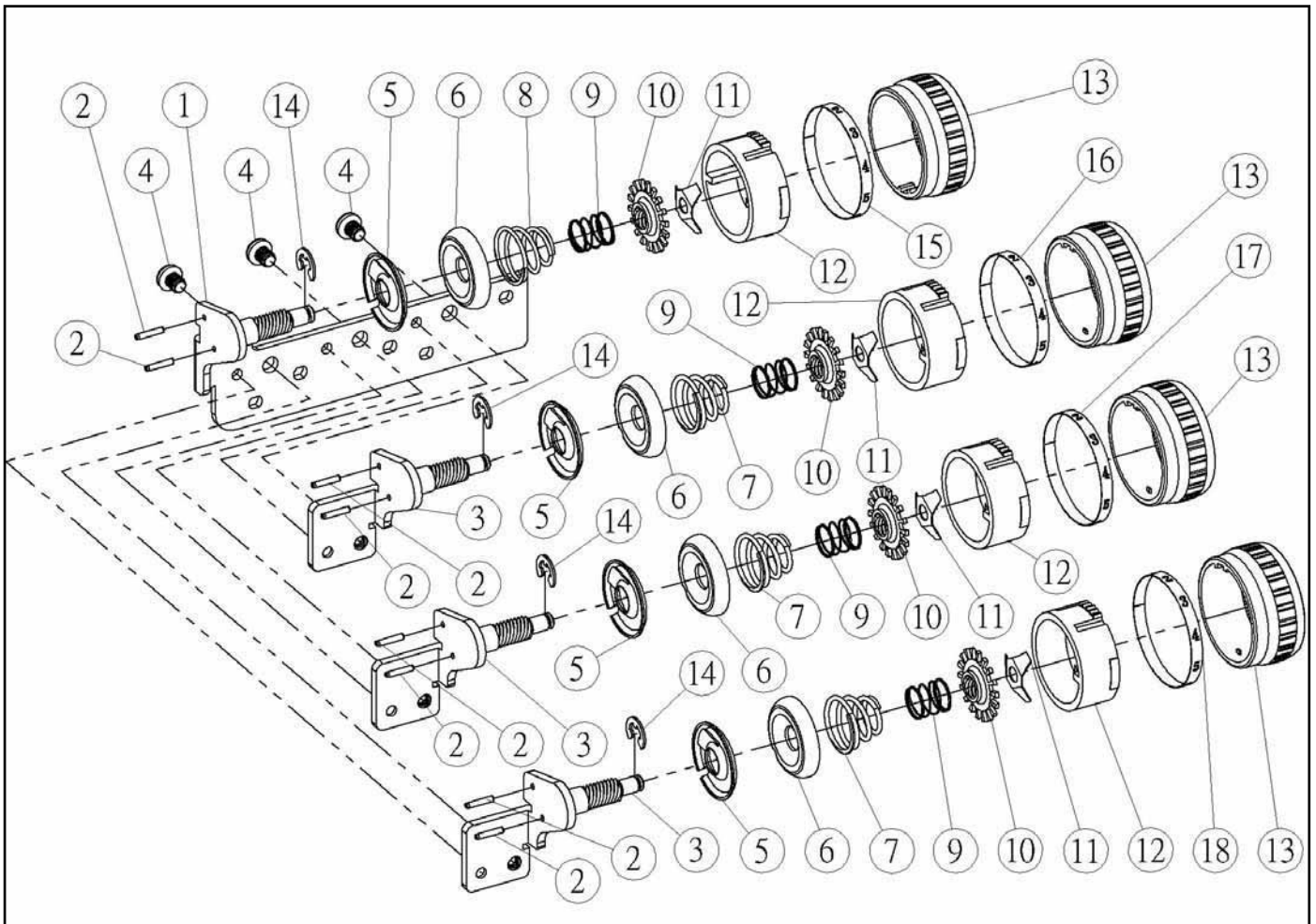
760606009 HERAD GUIDE BASE GROUP



ref no	part no	name of parts
1	760021004	SPOON PIN
2	760022005	THREAD GUIFE BAR
3	760023006	THREAD GUIDE COVER
4	760024007	SPRING PLATE
5	000011107	SCREW
6	000003818	SPRING PIN(2* L=14)
7	760025008	THREAD GUIGE BASE
8	301009001	WASHER
9	000011901	SCREW
10	750143002	SPOOL PIN BASE

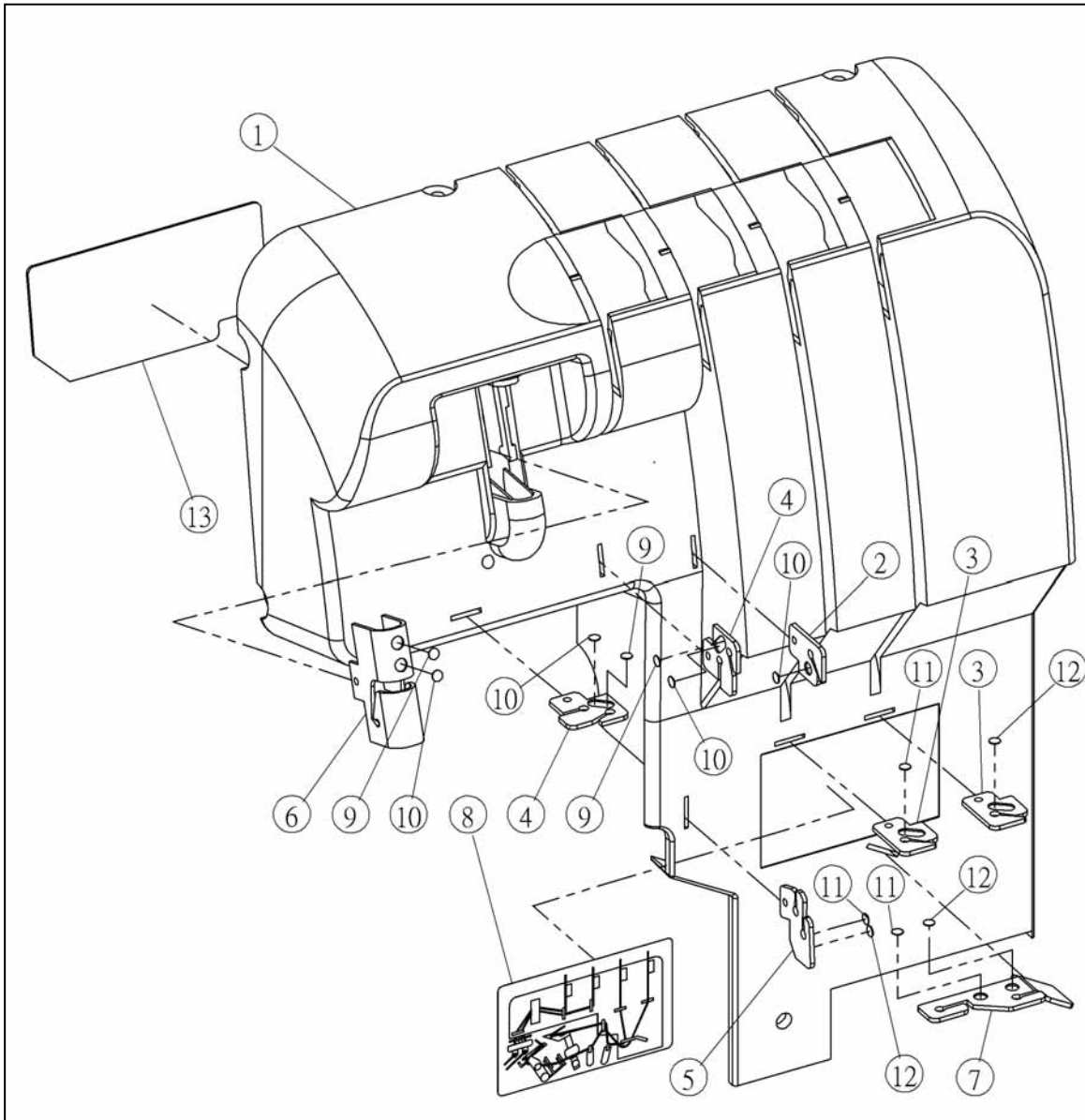


ref no	part no	name of parts	Note
1	760616002	UP-TENSION COMPLETE	GROUP
2	000011912	SCREW	
3	760617003	FRONT UPPER COVER GROUP	GROUP
4	000011901	SCREW	
5	760061109	FRONT LOWER COVER	
6	000014018	WASHER	
7	000011211	SCREW	
8	760037003	LIGHT COVER	
9	000011004	SCREW	
10	760608001	FREA ARM GROUP	GROUP
11	760609002	EXTENSION TABLE GROUP	GROUP
12	303075004	SERIAL MACHINE STICKER	



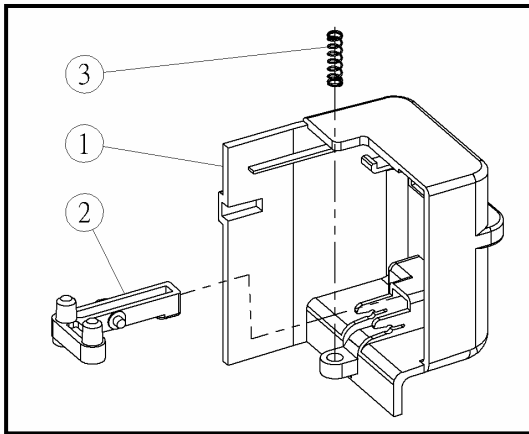
ref no	part no	name of parts	Note
1	754016007	UP-TENSION SET BOARD	
2	000003254	PIN	
3	754015006	UP-TENSION SUPPORT BOARD	
4	301037008	SCREW	
5	760039005	PRESSURE BOARD	
6	754019000	PRESSURE BOARD	
7	754021005	SPRING	
8	754028002	SPRING B	
9	754036003	SPRING	
10	754013004	UP-TENSION REGULATION BOARD	
11	754014005	TRIDENT WASHER	
12	754012003	UP-TENSION BUTTON B	
13	754027012	UP-TENSION BUTTON C	
14	000000206	SNAP RING 4D	
15	754041023	STICK THE PAPER (RED)	
16	754041034	STICK THE PAPER (BLUE)	
17	754041012	STICK THE PAPER (GREEN)	
18	754041001	STICK THE PAPER (YELLOW)	

760617003 FRONT UPPER COVER GROUP



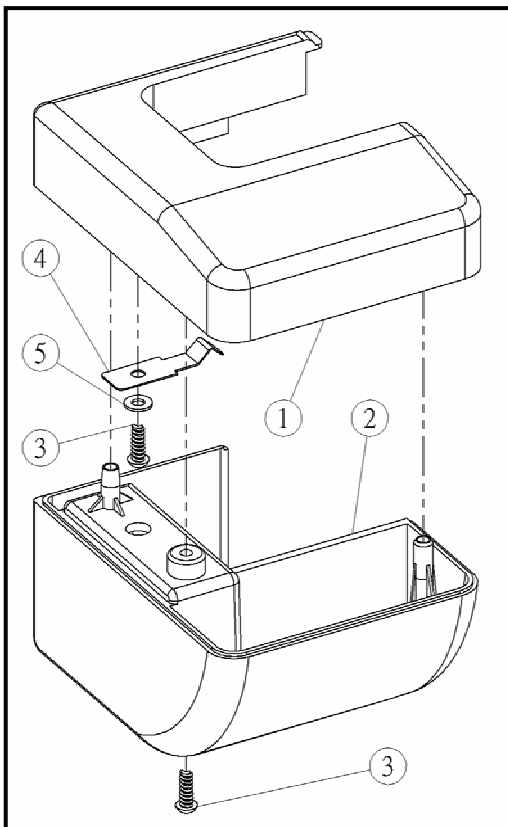
ref no	part no	name of parts
1	760060005	FRONT UPPER COVER
2	750211105	THREAD GUIDE A2
3	750211002	THRESD GUIDE
4	750212003	THREAD B2
5	750214005	THREAD GUIDE D
6	760043002	THERAD TAKE-UP LEVER COVER
7	750213107	THREAD GUIDE C
8	754018021	STICKER
9	750249113	STICKER (RED)
10	750249124	STICKER (BLUE)
11	750249135	STICKER (YELLOW)
12	750249146	STICKER (GREEN)
13	760019009	FRONT HEAT COVER

760608001 FREA ARM GROUP

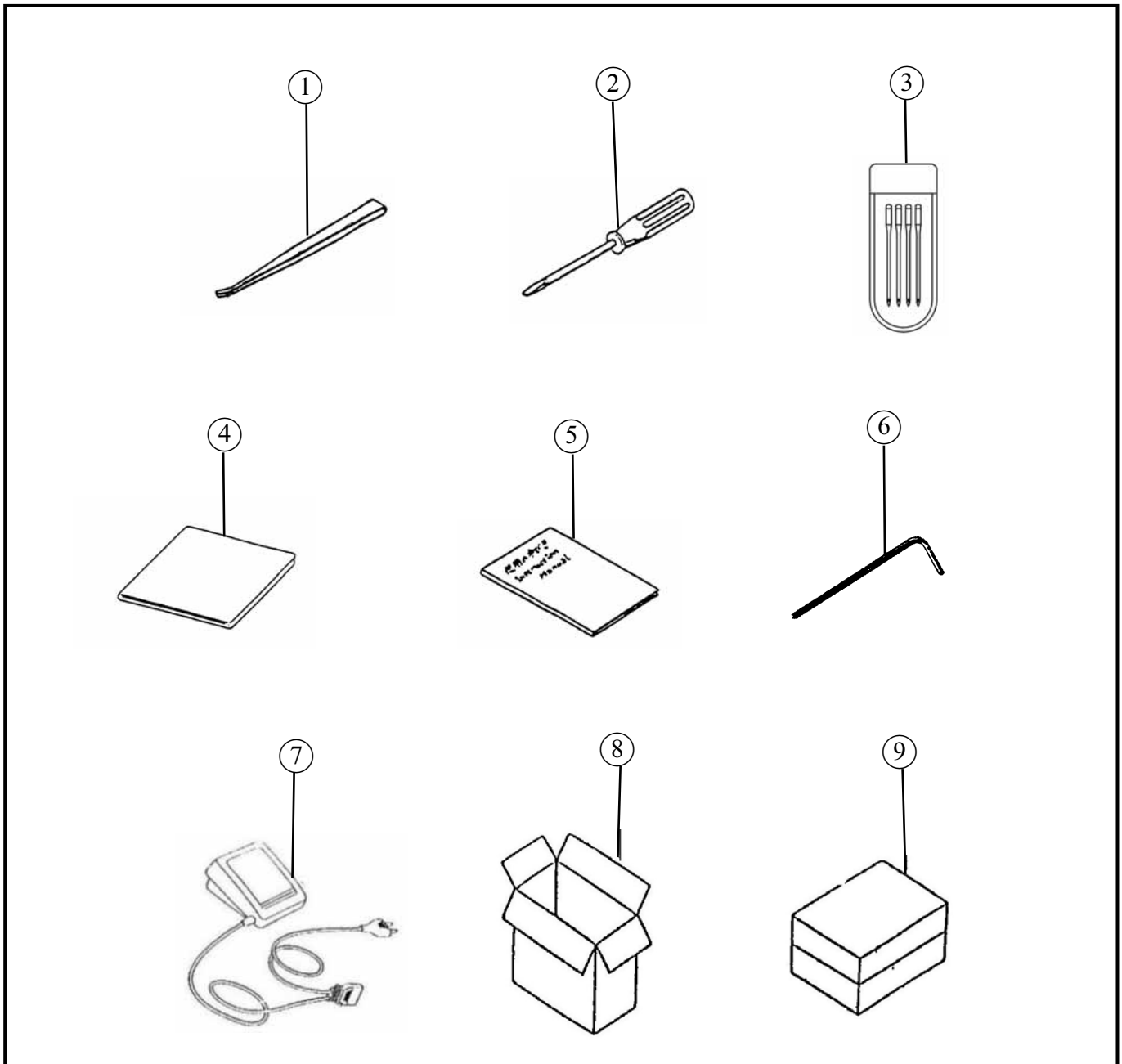


ref no	part no	name of parts
1	760032008	FREA ARM
2	760033009	FREE ARM PLATE
3	650064005	SPRING

760609002 EXTENSION TABLE GROUP



ref no	part no	name of parts
1	750139005	EXTENSION TABLE (UP)
2	760051003	EXTENSION TABLE (DOWN)
3	000011244	SCREW
4	760029002	SPRING BOARD
5	000014018	WASHER



ref no	part no	name of parts
1	750402208	TWEEZERS
2	750406006	SCREW DRIVER
3	301652212	NEEDLE BOX COMP
4	750405005	MACHINE COVER
5	76040xxxx	INSTRUCTION MANUAL
6	750404004	HEXAGON WRENCH KEY
7	230807004	CONTROLLER COMP
8	76070xxxx	CARTON
9	760401002	POLYFOAM



HSO-747D

高林股份有限公司 KAULIN MFG. CO., LTD.